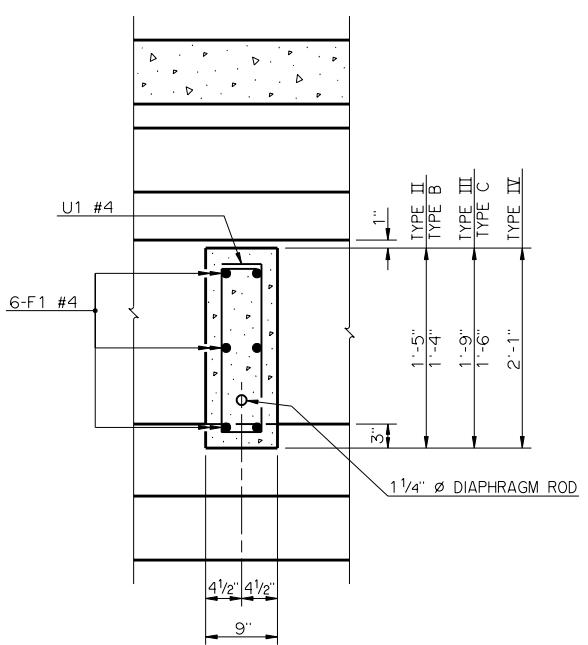
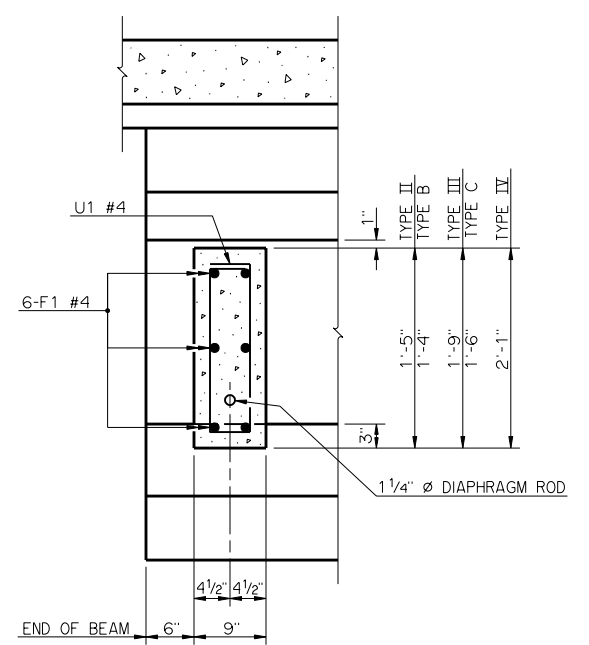


**ELEVATION OF INTERMEDIATE AND PIER DIAPHRAGMS
TYPE II, B, III, C AND IV P.C. BEAMS**

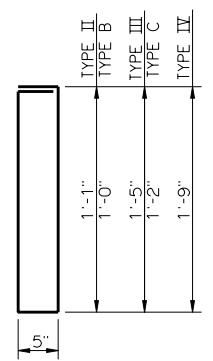
FOR SPANS OF 100' OR LESS IN LENGTH -
INCLUDE ONE LINE OF INTERMEDIATE DIAPHRAGMS PER SPAN AND ONE LINE OF PIER DIAPHRAGMS AT EACH PIER PER SPAN.
FOR SPANS OVER 100' IN LENGTH -
INCLUDE TWO LINES OF INTERMEDIATE DIAPHRAGMS PER SPAN AND ONE LINE OF PIER DIAPHRAGMS AT EACH PIER PER SPAN.



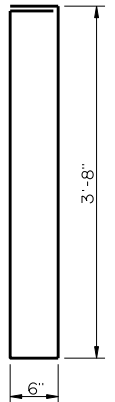
**SECTION A-A
AT INTERMEDIATE DIAPHRAGM**



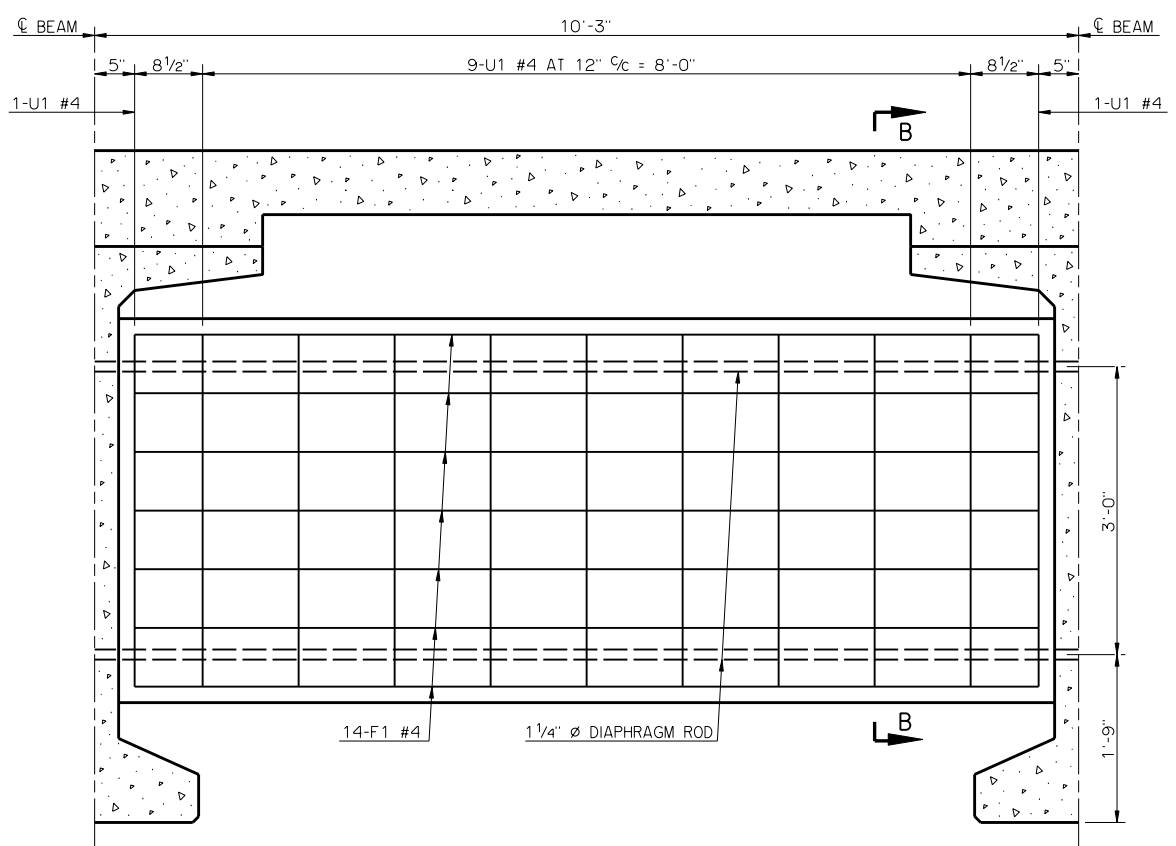
**SECTION A-A
AT PIER DIAPHRAGM**



- U1 #4 X 3'-5" - TYPE II
- U1 #4 X 3'-3" - TYPE B
- U1 #4 X 4'-1" - TYPE III
- U1 #4 X 3'-7" - TYPE C
- U1 #4 X 4'-9" - TYPE IV

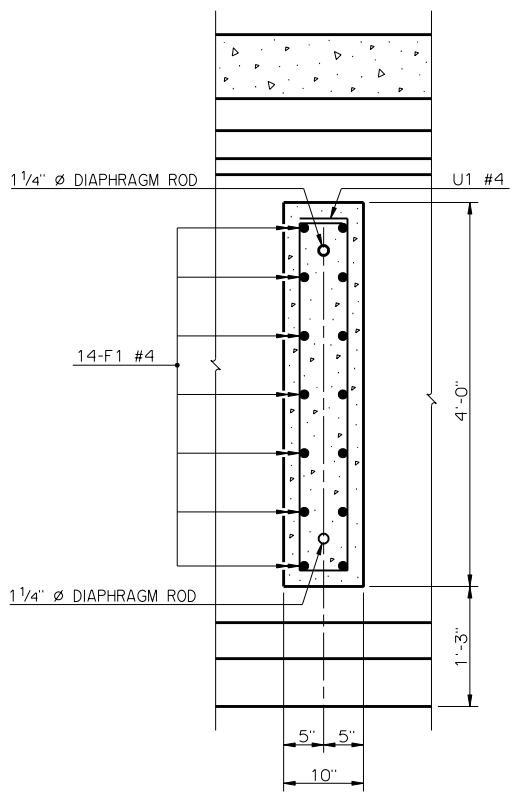


U1 #4 X 8'-10" - TYPE BT-72 AND TYPE J
DETAILS OF BENT REINFORCING STEEL

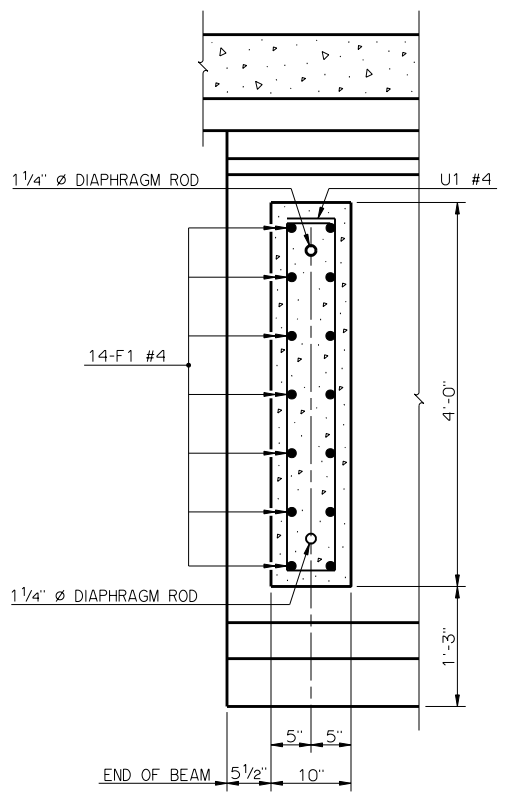


**ELEVATION OF INTERMEDIATE AND PIER DIAPHRAGMS
TYPE BT-72 AND TYPE J P.C. BEAMS**

FOR ALL SPAN LENGTHS -
INCLUDE TWO LINES OF INTERMEDIATE DIAPHRAGMS PER SPAN AND ONE LINE OF PIER DIAPHRAGMS AT EACH PIER PER SPAN.



**SECTION B-B
AT INTERMEDIATE DIAPHRAGM**



**SECTION B-B
AT PIER DIAPHRAGM**

**BAR LIST -
ONE INTERMEDIATE OR PIER DIAPHRAGM**

P.C. BEAM	MARK	NO.	SIZE	FORM	LENGTH
TYPE II	U1	10	#4	BNT.	3'-5"
	F1	6	#4	STR.	9'-5"
TYPE B	U1	10	#4	BNT.	3'-3"
	F1	6	#4	STR.	9'-4"
TYPE III	U1	10	#4	BNT.	4'-1"
	F1	6	#4	STR.	9'-4"
TYPE C	U1	10	#4	BNT.	3'-7"
	F1	6	#4	STR.	9'-4"
TYPE IV	U1	10	#4	BNT.	4'-9"
	F1	6	#4	STR.	9'-3"
TYPE BT-72	U1	11	#4	BNT.	8'-10"
	F1	14	#4	STR.	9'-5"
TYPE J	U1	11	#4	BNT.	8'-10"
	F1	14	#4	STR.	9'-5"

APPROVED BY BRIDGE ENGINEER *Robert J. Nease* DATE 10/16/05
 OKLAHOMA DEPARTMENT OF TRANSPORTATION
 COUNTY BRIDGE STANDARD (ENGLISH)
**INTERMEDIATE AND PIER DIAPHRAGM DETAILS
 P.C. BEAMS**
 26' CLEAR ROADWAY - INTEGRAL - SKEWED 0°
 1999 STANDARD SPECIFICATIONS CB26-I-SKO-DIA-INTPR-PCB OOE CB-498E