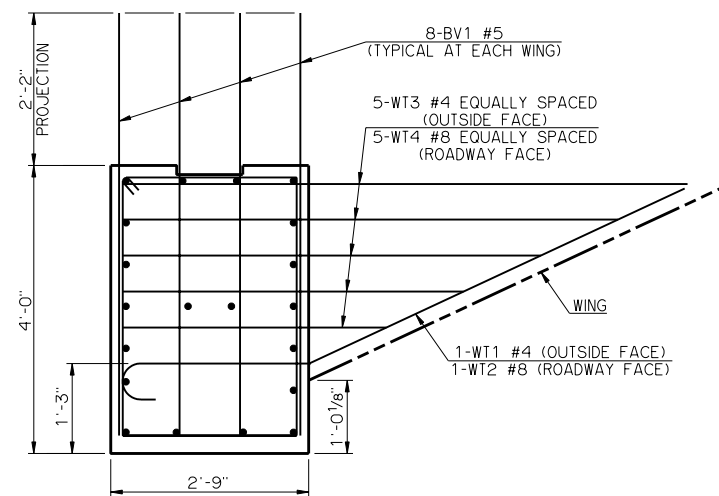


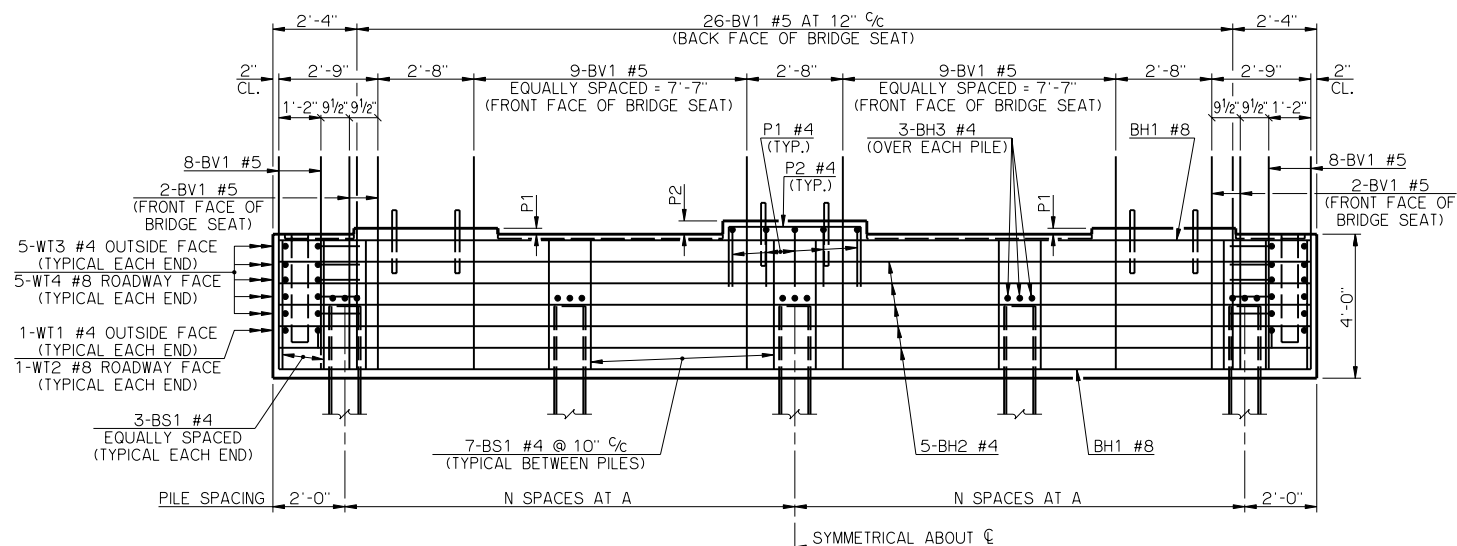
PLAN



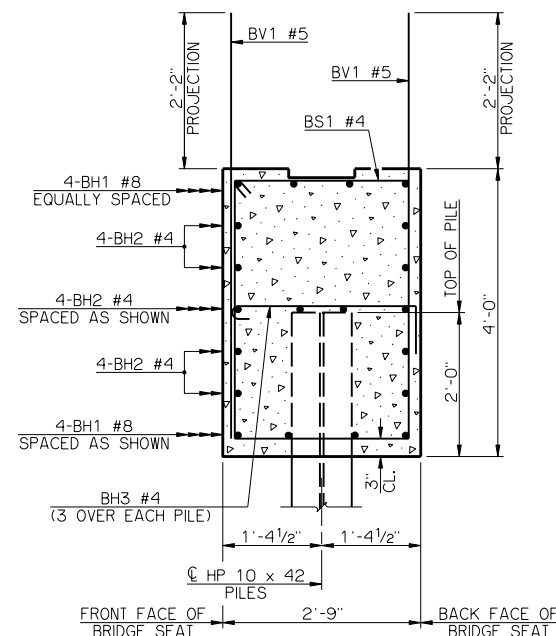
VIEW A-A

PEDESTAL DIMENSIONS			
SPAN	P1	P2	
30'	7' ⁷ / ₈ "	10' ³ / ₈ "	
35'	5' ¹ / ₁₆ "	7' ⁹ / ₁₆ "	
40'	2' ⁹ / ₁₆ "	4' ³ / ₄ "	
45'	2' ¹ / ₈ "	4' ⁹ / ₁₆ "	
50'	2"	4' ⁷ / ₁₆ "	

PILE SCHEDULE				
SPAN	TOTAL NUMBER OF PILES	N SPACES	A	MAXIMUM FACTORED PILE LOAD
30'	5	2	6'-3"	54.2 TON
35'	5	2	6'-3"	57.2 TON
40'	5	2	6'-3"	59.9 TON
45'	5	2	6'-3"	62.5 TON
50'	5	2	6'-3"	65.0 TON



ELEVATION



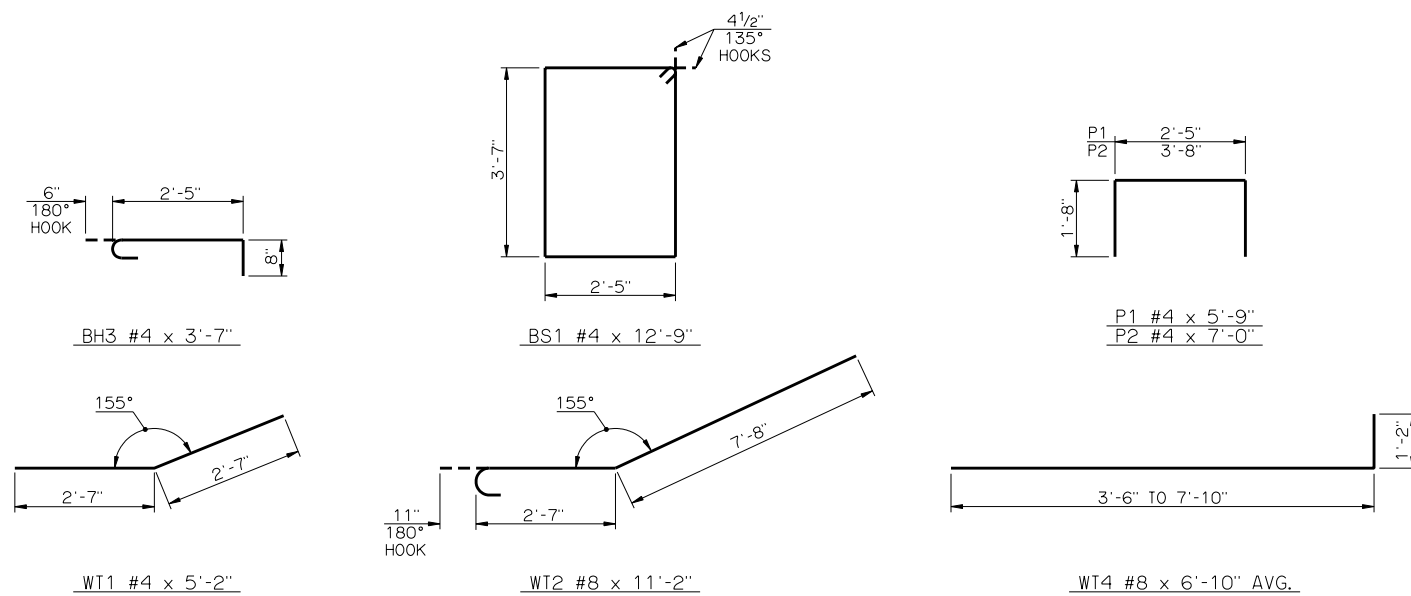
TYPICAL SECTION THRU BRIDGE SEAT

BAR LIST - ONE ABUTMENT					
MARK	NO.	SIZE	FORM	LENGTH	LENGTH VARIATION
BH1	8	#8	STR.	28'-8"	-
BH2	12	#4	STR.	28'-8"	-
BH3	15	#4	BNT.	3'-7"	-
BS1	34	#4	BNT.	12'-9"	-
BV1	64	#5	STR.	5'-11"	-
P1	15	#4	BNT.	5'-9"	-
P2	12	#4	BNT.	7'-0"	-
WT1	2	#4	BNT.	5'-2"	-
WT2	2	#8	BNT.	11'-2"	-
WT3	10	#4	STR.	5'-8" AVG.	3'-6" TO 7'-10"
WT4	10	#8	BNT.	6'-10" AVG.	4'-8" TO 9'-0"

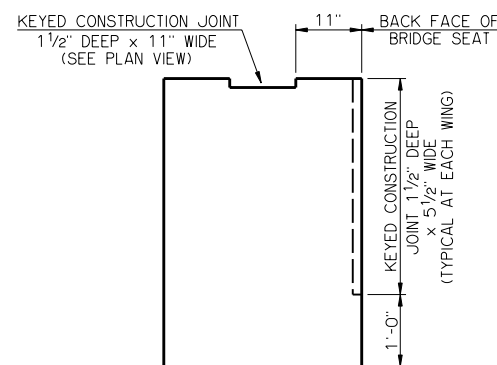
① NO. INCLUDES TWO SETS OF 5 BARS

SUMMARY OF QUANTITIES - ONE ABUTMENT ②		
ITEM	UNIT	TOTAL
SUBSTRUCTURE EXCAVATION COMMON	CY	30.00
GRANULAR BACKFILL	CY	19.00
CLASS A CONCRETE	CY	12.60
REINFORCING STEEL	LB	1,970.00
PILES, FURNISHED (HP 10 x 42)	LF	-
PILES, DRIVEN (HP 10 x 42)	LF	-
6" PERFORATED PIPE UNDERDRAIN ROUND	LF	27.00
6" NON-PERF. PIPE UNDERDRAIN RND.	LF	-

② EXCLUDES WINGS



DETAILS OF BENT REINFORCING STEEL



DETAIL OF CONSTRUCTION JOINTS

NOTES

ABUTMENT WING CONCRETE SHALL NOT BE POURED UNTIL THE ABUTMENT DIAPHRAGMS OF THE SUPERSTRUCTURE AND THE DECK SLAB CONCRETE HAVE ATTAINED A STRENGTH OF 3,000 PSI.

ALL WT WING REINFORCING STEEL TIED TO BRIDGE SEAT REINFORCING STEEL MUST BE IN PLACE PRIOR TO POURING THE BRIDGE SEAT CONCRETE.

APPROVED BY BRIDGE ENGINEER *Robert J. Rusch* DATE 10/16/04

OKLAHOMA DEPARTMENT OF TRANSPORTATION
COUNTY BRIDGE STANDARD (ENGLISH)

ABUTMENT DETAILS
30' THRU 50' ROLLED BEAMS

26' CLEAR ROADWAY - INTEGRAL - SKEWED 0°

1999 STANDARD SPECIFICATIONS CB26-I-SKO-ABUT-RB-3050 OOE CB-373E