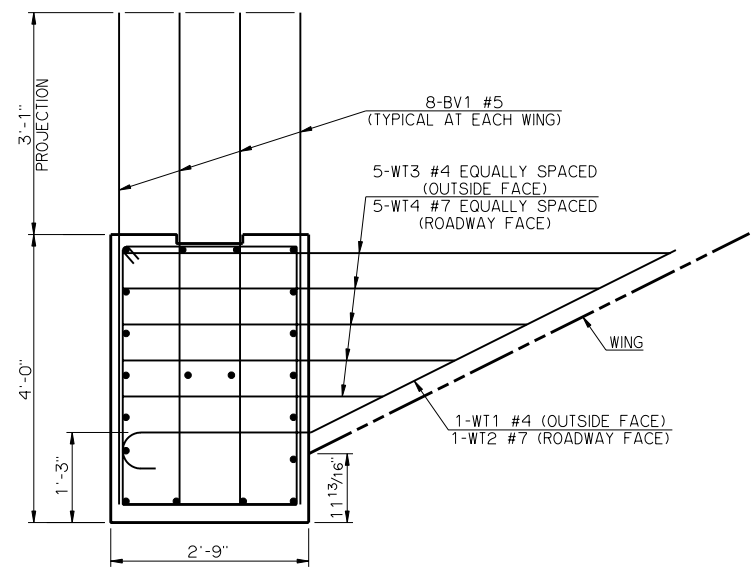


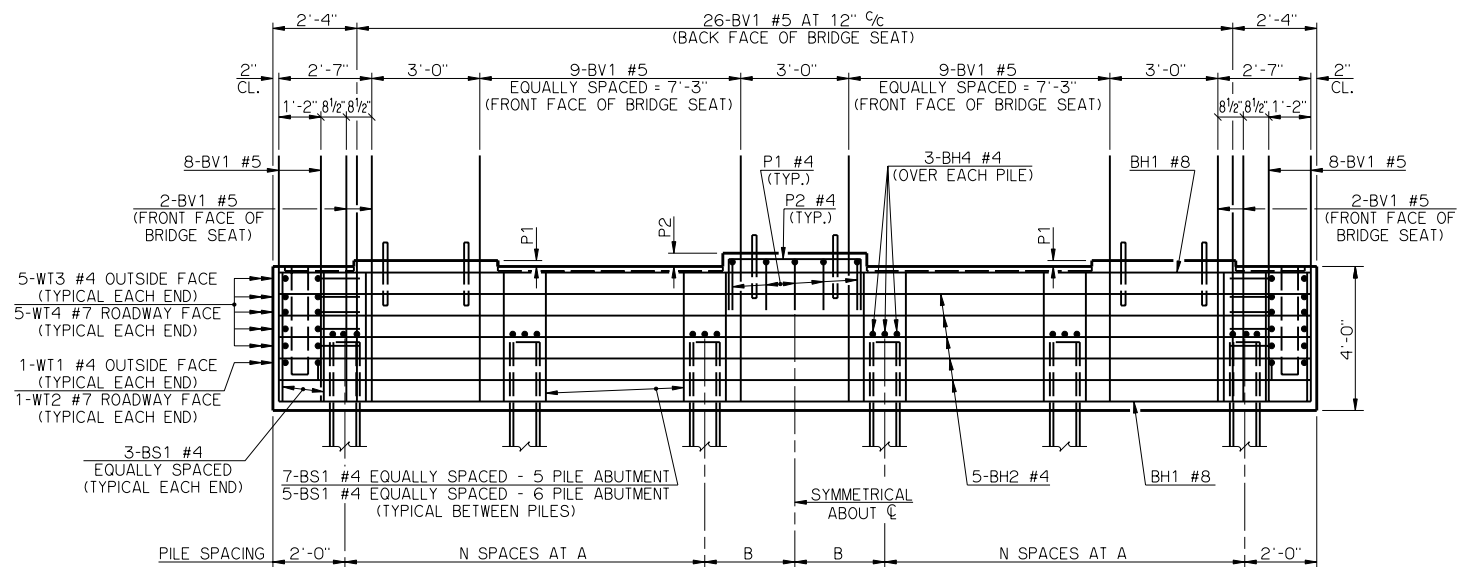
PLAN



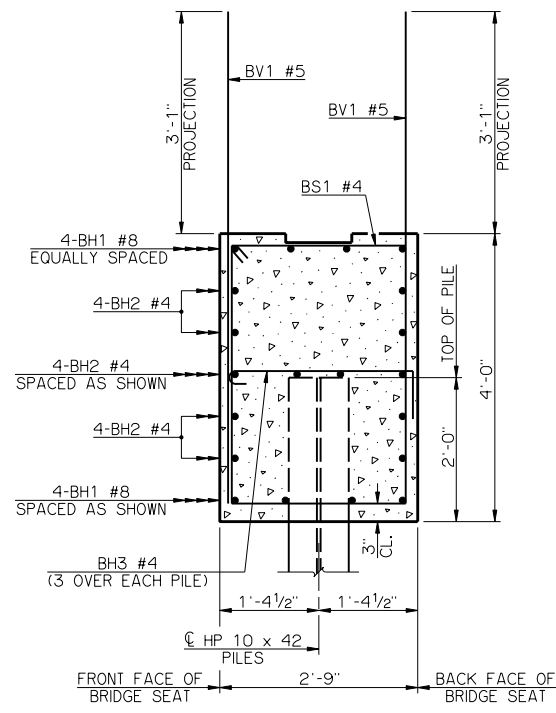
VIEW A-A

PEDESTAL DIMENSIONS		
BEAM TYPE	P1	P2
TYPE III	2"	4 ⁷ / ₁₆ "
TYPE C	7"	9 ⁷ / ₁₆ "

PILE SCHEDULE					
SPAN	TOTAL NUMBER OF PILES	N SPACES	A	B	MAXIMUM FACTORED PILE LOAD
60'	5	2	6'-3"	0'-0"	74.5 TON
65'	5	2	6'-3"	0'-0"	78.0 TON
70'	6	2	5'-0"	2'-6"	67.2 TON
75'	6	2	5'-0"	2'-6"	69.3 TON
80'	6	2	5'-0"	2'-6"	71.4 TON
85'	6	2	5'-0"	2'-6"	73.5 TON



ELEVATION



TYPICAL SECTION THRU BRIDGE SEAT

BAR LIST - ONE ABUTMENT					
MARK	NO.	SIZE	FORM	LENGTH	LENGTH VARIATION
BH1	8	#8	STR.	28'-8"	-
BH2	12	#4	STR.	28'-8"	-
BV1	64	#5	STR.	6'-10"	-
P1	15	#4	BNT.	5'-9"	-
P2	12	#4	BNT.	7'-0"	-
WT1	2	#4	BNT.	5'-2"	-
WT2	2	#7	BNT.	9'-1"	-
WT3	10	#4	STR.	5'-5" AVG.	3'-6" TO 7'-4"
WT4	10	#7	BNT.	6'-7" AVG.	4'-8" TO 8'-6"
ADDITIONAL BARS TO BE USED WITH 5 PILE ABUTMENTS					
BH3	15	#4	BNT.	3'-7"	-
BS1	34	#4	BNT.	12'-9"	-
ADDITIONAL BARS TO BE USED WITH 6 PILE ABUTMENTS					
BH3	18	#4	BNT.	3'-7"	-
BS1	31	#4	BNT.	12'-9"	-

① NO. INCLUDES TWO SETS OF 5 BARS

SUMMARY OF QUANTITIES - ONE ABUTMENT ②

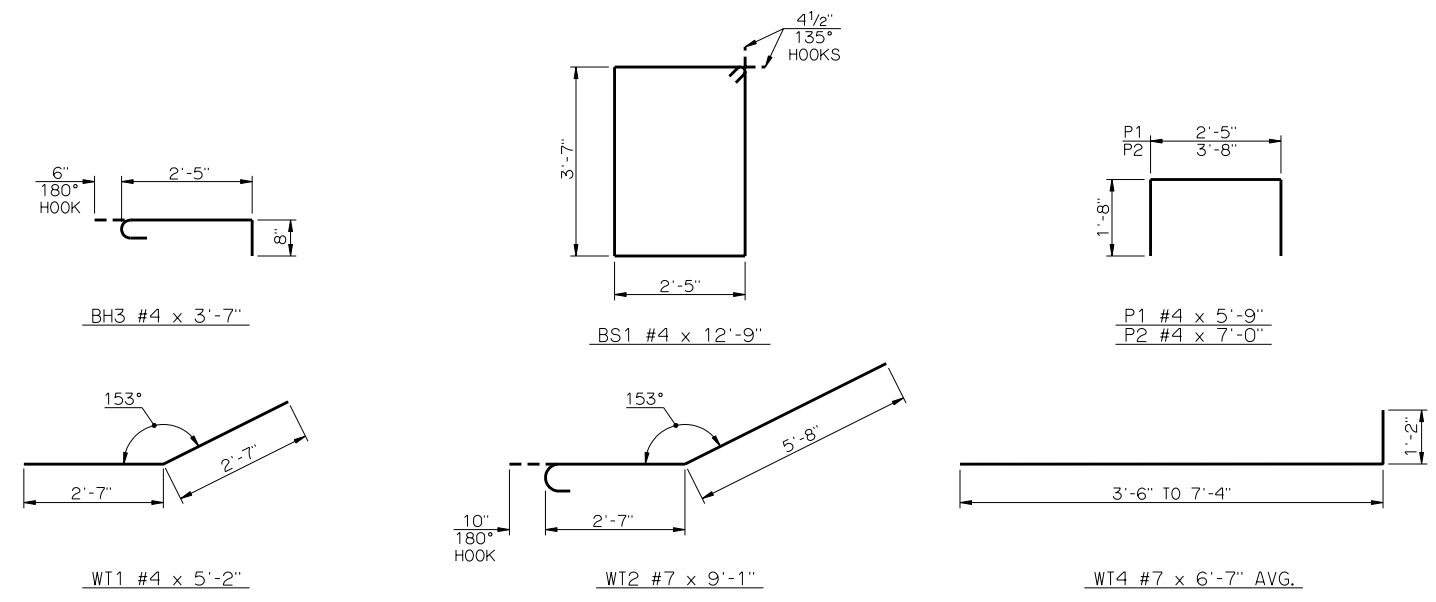
ITEM	UNIT	TOTAL
SUBSTRUCTURE EXCAVATION COMMON	CY	30.00
GRANULAR BACKFILL	CY	28.00
CLASS A CONCRETE	CY	12.80
REINFORCING STEEL	LB	1,960.00
PILES, FURNISHED (HP 10 x 42)	LF	-
PILES, DRIVEN (HP 10 x 42)	LF	-
6" PERFORATED PIPE UNDERDRAIN ROUND	LF	27.00
6" NON-PERF. PIPE UNDERDRAIN RND.	LF	-

② EXCLUDES WINGS

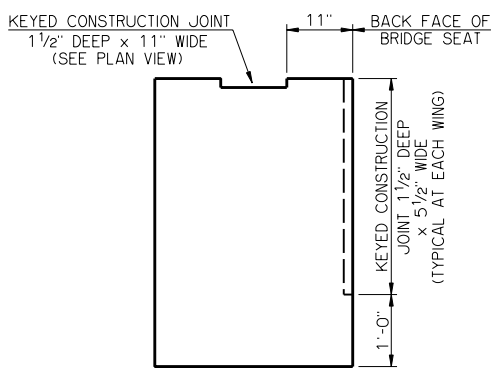
NOTES

ABUTMENT WING CONCRETE SHALL NOT BE POURED UNTIL THE ABUTMENT DIAPHRAGMS OF THE SUPERSTRUCTURE AND THE DECK SLAB CONCRETE HAVE ATTAINED A STRENGTH OF 3,000 PSI.
 ALL WT WING REINFORCING STEEL TIED TO BRIDGE SEAT REINFORCING STEEL MUST BE IN PLACE PRIOR TO POURING THE BRIDGE SEAT CONCRETE.

APPROVED BY BRIDGE ENGINEER *Robert J. Nuss* DATE 10/16/08
 OKLAHOMA DEPARTMENT OF TRANSPORTATION
 COUNTY BRIDGE STANDARD (ENGLISH)
ABUTMENT DETAILS
TYPE III AND TYPE C P.C. BEAMS
 26' CLEAR ROADWAY - INTEGRAL - SKEWED 0°
 1999 STANDARD SPECIFICATIONS CB26-I-SKO-ABUT-PC3 OOE
 CB-370E



DETAILS OF BENT REINFORCING STEEL



DETAIL OF CONSTRUCTION JOINTS