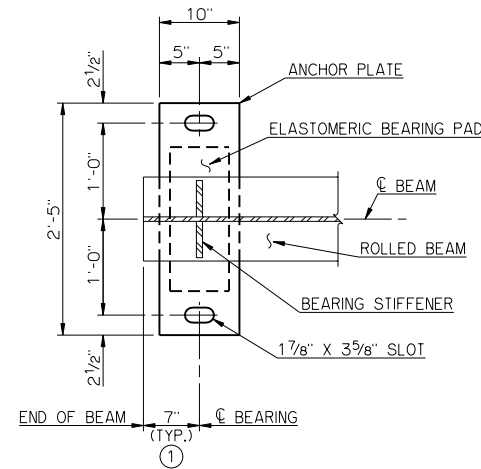
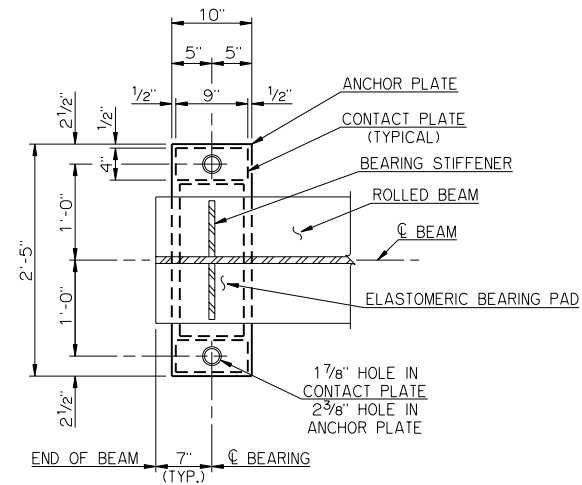


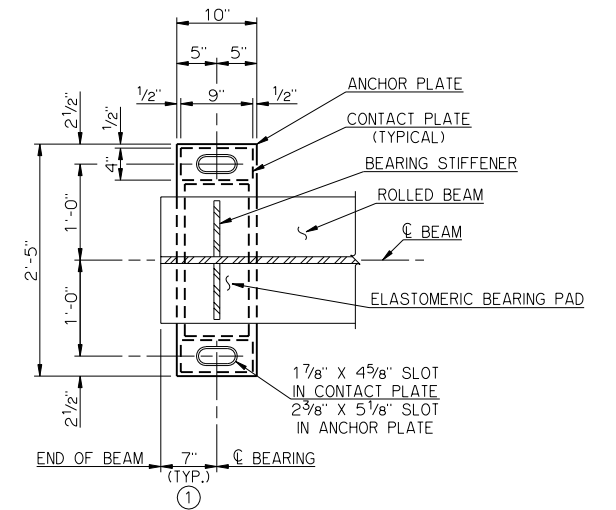
FIXED BEARING PLAN
ANCHOR BOLT ASSEMBLIES NOT SHOWN



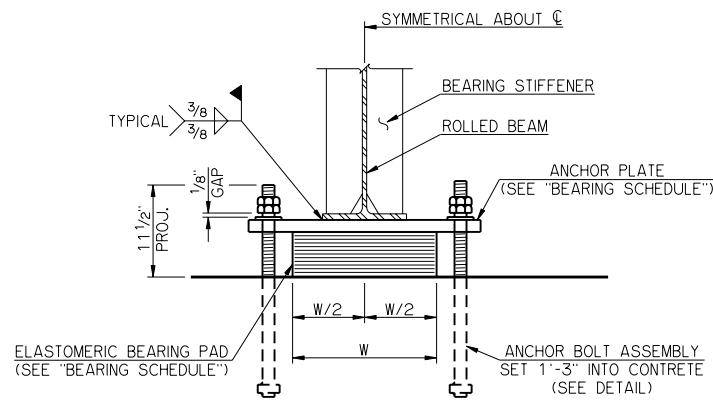
EXPANSION BEARING PLAN
ANCHOR BOLT ASSEMBLIES NOT SHOWN



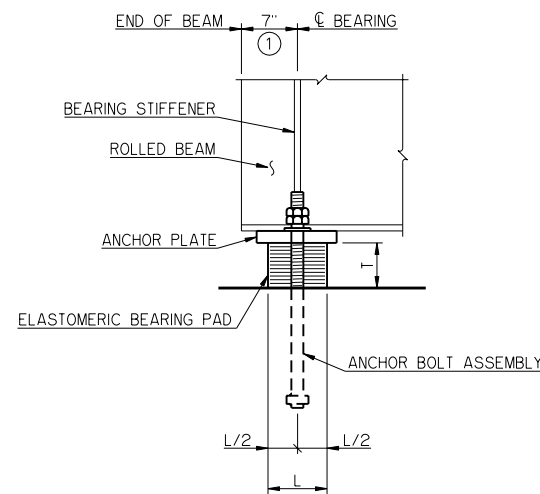
FIXED BEARING PLAN
ANCHOR BOLT ASSEMBLIES NOT SHOWN



EXPANSION BEARING PLAN
ANCHOR BOLT ASSEMBLIES NOT SHOWN

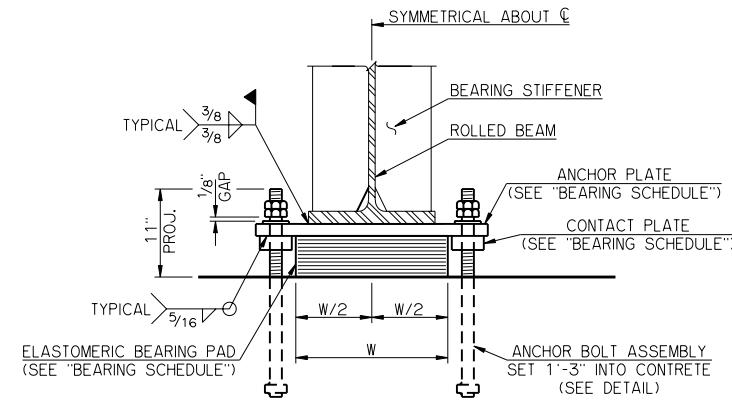


END VIEW

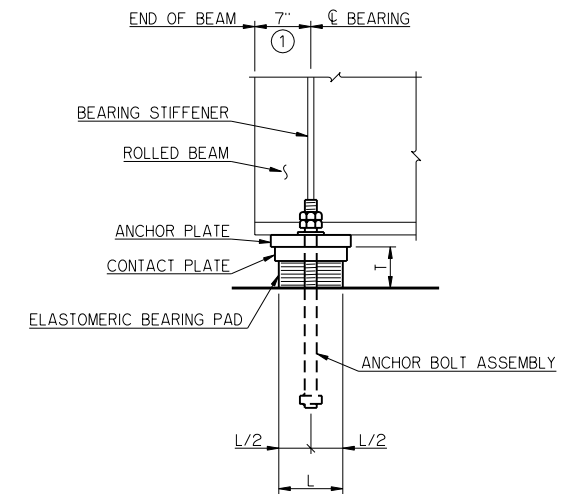


SIDE VIEW

BEARING DETAILS
30' THRU 50' SPANS

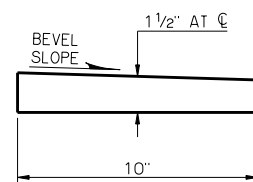


END VIEW



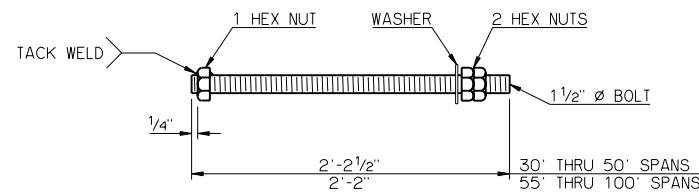
SIDE VIEW

BEARING DETAILS
55' THRU 100' SPANS



BEVELED ANCHOR PLATE DETAIL

BEVELED ANCHOR PLATE IS REQUIRED WHEN ANGLE BETWEEN UNDERSIDE OF BEAM AND HORIZONTAL EXCEEDS 1.0%. BEVEL SLOPE TO MATCH ANGLE BETWEEN BEAM AND HORIZONTAL. PAINT THICKER EDGE RED.



ANCHOR BOLT ASSEMBLY DETAIL

SPAN	ANCHOR PLATE	CONTACT PLATE	60 DUROMETER ELASTOMERIC BEARING PAD			MAXIMUM EXPANSION LENGTH WITHOUT BONDING	
			SIZE (T X L X W)	COVER LAYER	INNER LAYER		
30'	1 1/2" X 10" X 2'-5"	---	5 3/8" x 6 3/4" x 1'-4"	2-1/4"	10-3/8"	11-1/8"	80'
35'	1 1/2" X 10" X 2'-5"	---	5 3/8" x 7" x 1'-4"	2-1/4"	10-3/8"	11-1/8"	95'
40'	1 1/2" X 10" X 2'-5"	---	5 1/8" x 7 1/8" x 1'-4"	2-1/4"	9-3/8"	10-1/8"	95'
45'	1 1/2" X 10" X 2'-5"	---	5 1/8" x 7 3/8" x 1'-4"	2-1/4"	9-3/8"	10-1/8"	105'
50'	1 1/2" X 10" X 2'-5"	---	5 1/8" x 7" x 1'-6"	2-1/4"	9-3/8"	10-1/8"	110'
55'	1 1/2" X 10" X 2'-5"	1/2" x 4" x 9"	5 1/8" x 7 1/8" x 1'-6"	2-1/4"	9-3/8"	10-1/8"	115'
60'	1 1/2" X 10" X 2'-5"	1/2" x 4" x 9"	4 5/8" x 7 3/8" x 1'-6"	2-1/4"	8-3/8"	9-1/8"	115'
65'	1 1/2" X 10" X 2'-5"	1/2" x 4" x 9"	4 3/8" x 7 3/8" x 1'-6"	2-1/4"	8-3/8"	9-1/8"	130'
70'	1 1/2" X 10" X 2'-5"	1" x 4" x 9"	4 3/8" x 7 1/2" x 1'-6"	2-1/4"	8-3/8"	9-1/8"	135'
75'	1 1/2" X 10" X 2'-5"	1" x 4" x 9"	4 1/8" x 7 1/2" x 1'-6"	2-1/4"	7-3/8"	8-1/8"	135'
80'	1 1/2" X 10" X 2'-5"	1" x 4" x 9"	4 1/8" x 7 3/8" x 1'-7"	2-1/4"	7-3/8"	8-1/8"	140'
85'	1 1/2" X 10" X 2'-5"	1 1/4" x 4" x 9"	4 1/8" x 7 1/2" x 1'-7"	2-1/4"	7-3/8"	8-1/8"	145'
90'	1 1/2" X 10" X 2'-5"	1 1/2" x 4" x 9"	4 1/8" x 7 1/2" x 1'-7"	2-1/4"	7-3/8"	8-1/8"	160'
95'	1 1/2" X 10" X 2'-5"	1 1/2" x 4" x 9"	4 1/8" x 8" x 1'-7"	2-1/4"	7-3/8"	8-1/8"	160'
100'	1 1/2" X 10" X 2'-5"	1 3/4" x 4" x 9"	4 1/8" x 8" x 1'-7"	2-1/4"	7-3/8"	8-1/8"	165'

① ANCHOR BOLTS SHALL BE CENTERED IN SLOTS DURING SETTING OF BEAMS. DIMENSION MAY VARY AT EXPANSION BEARING DEPENDING ON TEMPERATURE AT THE TIME OF BEAM SETTING.

APPROVED BY BRIDGE ENGINEER *Robert J. Rusch* DATE 10/16/05
 OKLAHOMA DEPARTMENT OF TRANSPORTATION
 COUNTY BRIDGE STANDARD (ENGLISH)
**BEARING DETAILS
 ROLLED BEAMS**
 26' CLEAR ROADWAY - CONVENTIONAL - SKEWED 0° AND 30°
 1999 STANDARD SPECIFICATIONS CB26-C-SKO.30-BRG-RB OOE
 CB-363E