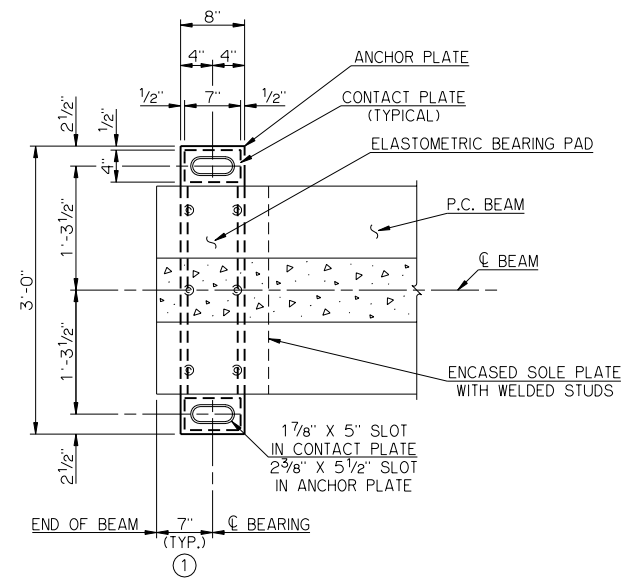
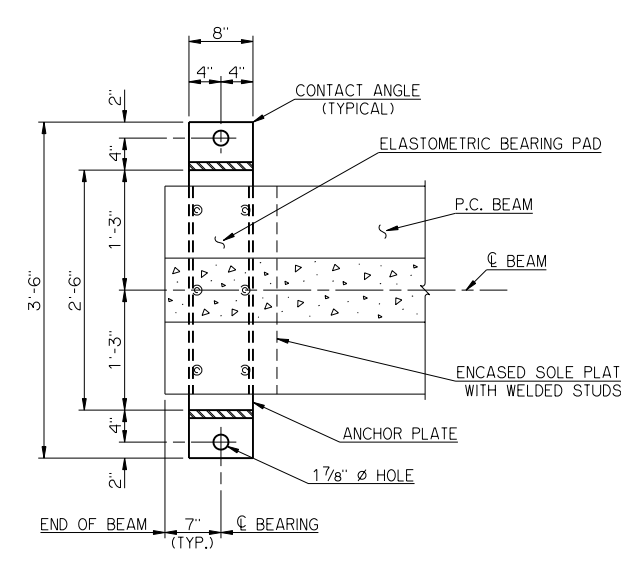


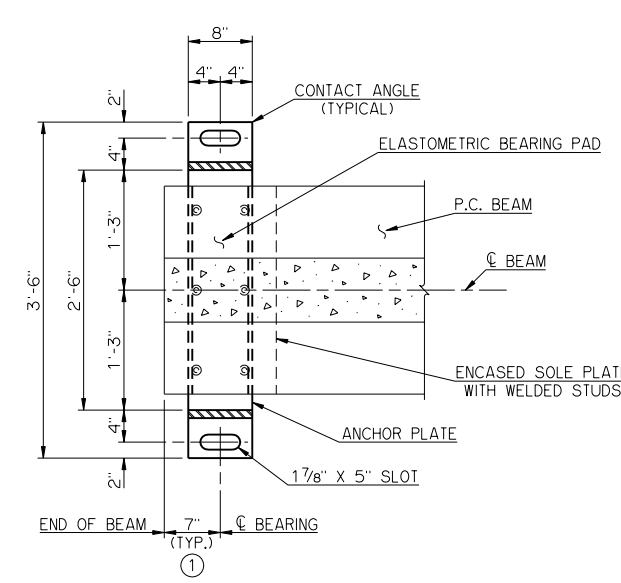
FIXED BEARING PLAN  
ANCHOR BOLT ASSEMBLIES NOT SHOWN



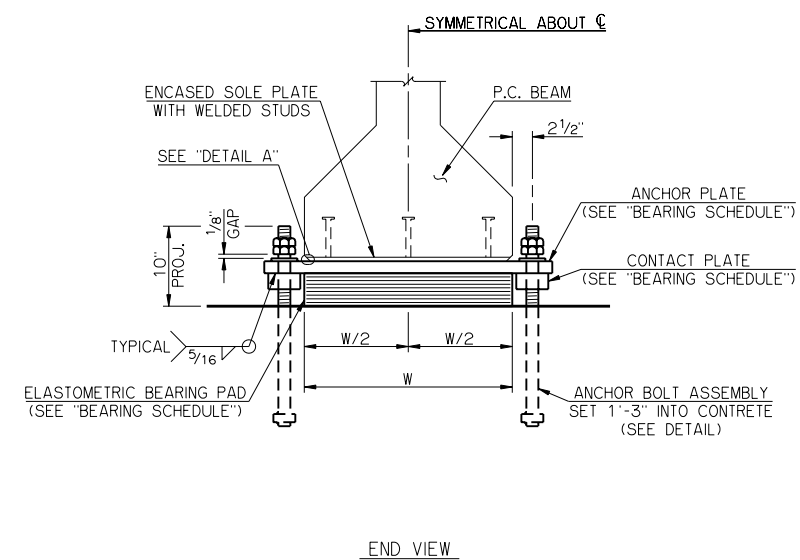
EXPANSION BEARING PLAN  
ANCHOR BOLT ASSEMBLIES NOT SHOWN



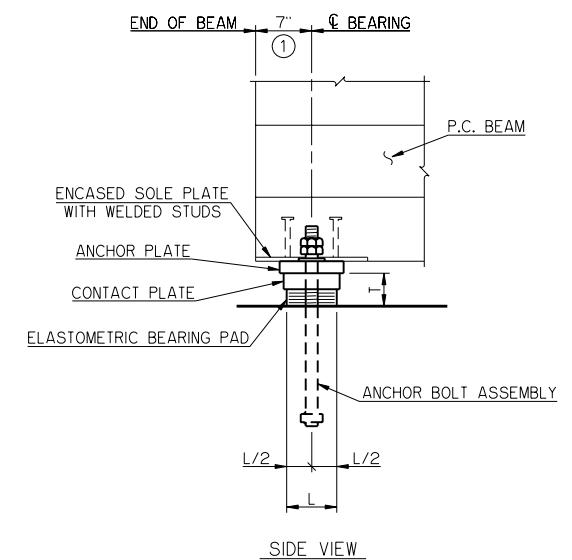
FIXED BEARING PLAN  
ANCHOR BOLT ASSEMBLIES NOT SHOWN



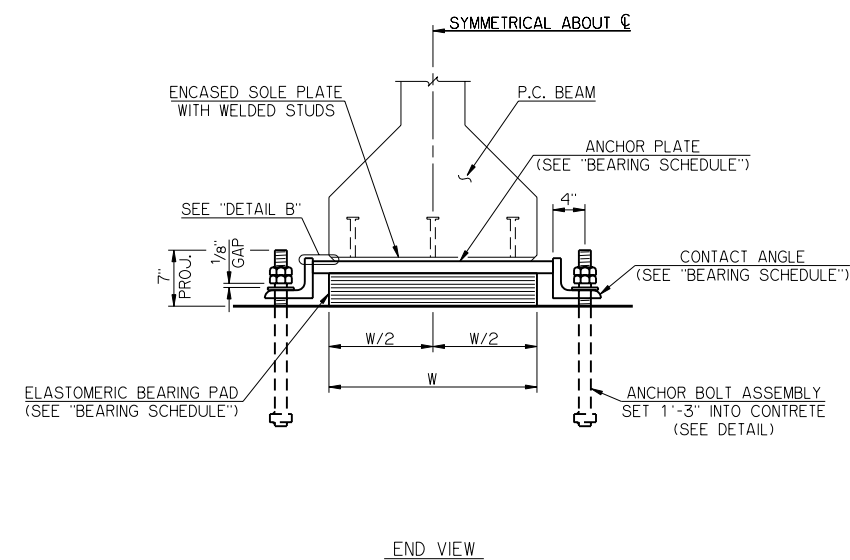
EXPANSION BEARING PLAN  
ANCHOR BOLT ASSEMBLIES NOT SHOWN



END VIEW



SIDE VIEW

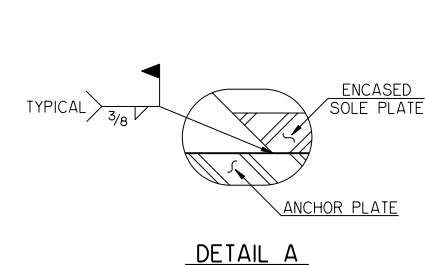


END VIEW

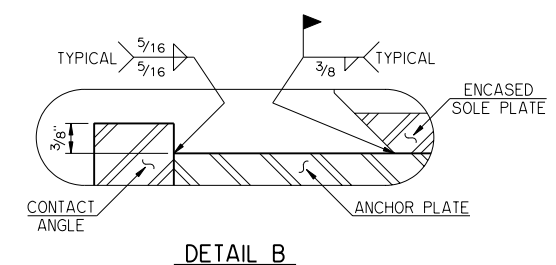
SIDE VIEW

BEARING DETAILS  
80' THRU 90' SPANS

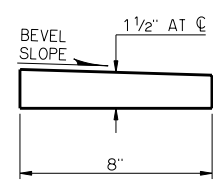
BEARING DETAILS  
95' THRU 120' SPANS



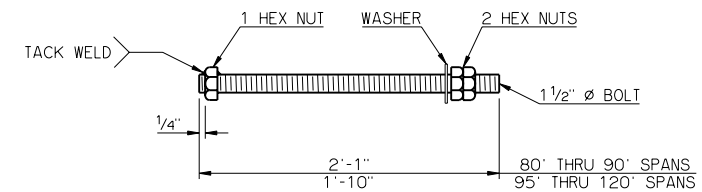
DETAIL A



DETAIL B



BEVELED ANCHOR PLATE DETAIL  
BEVELED ANCHOR PLATE IS REQUIRED WHEN ANGLE BETWEEN UNDERSIDE OF BEAM AND HORIZONTAL EXCEEDS 1.0%. BEVEL SLOPE TO MATCH ANGLE BETWEEN BEAM AND HORIZONTAL. PAINT THICKER EDGE RED.



ANCHOR BOLT ASSEMBLY DETAIL

SPAN	ANCHOR PLATE	CONTACT PLATE OR CONTACT ANGLE ②	60 DUROMETER ELASTOMERIC BEARING PAD			MAXIMUM EXPANSION LENGTH WITHOUT BONDING	
			SIZE (T X L X W)	COVER LAYER	INNER LAYER		
80'	1 1/2" X 8" X 3'-0"	R 1 3/4" X 4" X 7"	4 1/8" x 6" x 2'-2"	2-1/4"	7-3/8"	8-1/8"	310'
85'	1 1/2" X 8" X 3'-0"	R 2" X 4" X 7"	4 1/8" x 6 1/4" x 2'-2"	2-1/4"	7-3/8"	8-1/8"	310'
90'	1 1/2" X 8" X 3'-0"	R 2" X 4" X 7"	4 1/8" x 6 1/4" x 2'-2"	2-1/4"	7-3/8"	8-1/8"	310'
95'	1 1/2" X 8" X 2'-6"	L 6 X 5 X 1 X 8"	4 1/8" x 6 1/4" x 2'-2"	2-1/4"	7-3/8"	8-1/8"	310'
100'	1 1/2" X 8" X 2'-6"	L 6 X 5 X 1 X 8"	4 1/8" x 6 1/2" x 2'-2"	2-1/4"	7-3/8"	8-1/8"	310'
105'	1 1/2" X 8" X 2'-6"	L 6 X 5 X 1 X 8"	4 1/8" x 6 1/2" x 2'-2"	2-1/4"	7-3/8"	8-1/8"	310'
110'	1 1/2" X 8" X 2'-6"	L 6 X 5 X 1 X 8"	4 1/8" x 6 3/4" x 2'-2"	2-1/4"	7-3/8"	8-1/8"	310'
115'	1 1/2" X 8" X 2'-6"	L 6 X 5 X 1 X 8"	4 1/8" x 6 7/8" x 2'-2"	2-1/4"	7-3/8"	8-1/8"	310'
120'	1 1/2" X 8" X 2'-6"	L 6 X 5 X 1 X 8"	4 1/8" x 7" x 2'-2"	2-1/4"	7-3/8"	8-1/8"	310'

① ANCHOR BOLTS SHALL BE CENTERED IN SLOTS DURING SETTING OF BEAMS. DIMENSION MAY VARY AT EXPANSION BEARING DEPENDING ON TEMPERATURE AT THE TIME OF BEAM SETTING.  
② FABRICATE L 6 X 5 X 1 BY CUTTING 1" FROM VERTICAL LEG OF L 6 X 6 X 1.

APPROVED BY BRIDGE ENGINEER *Robert A. Nease* DATE 10/16/08  
OKLAHOMA DEPARTMENT OF TRANSPORTATION  
COUNTY BRIDGE STANDARD (ENGLISH)  
**BEARING DETAILS  
TYPE IV AND TYPE BT-72 P.C. BEAMS**  
26' CLEAR ROADWAY - CONVENTIONAL - SKEWED 0° AND 30°  
1999 STANDARD SPECIFICATIONS      CB26-C-SKO..30-BRG-PC4      OOE      CB-361E