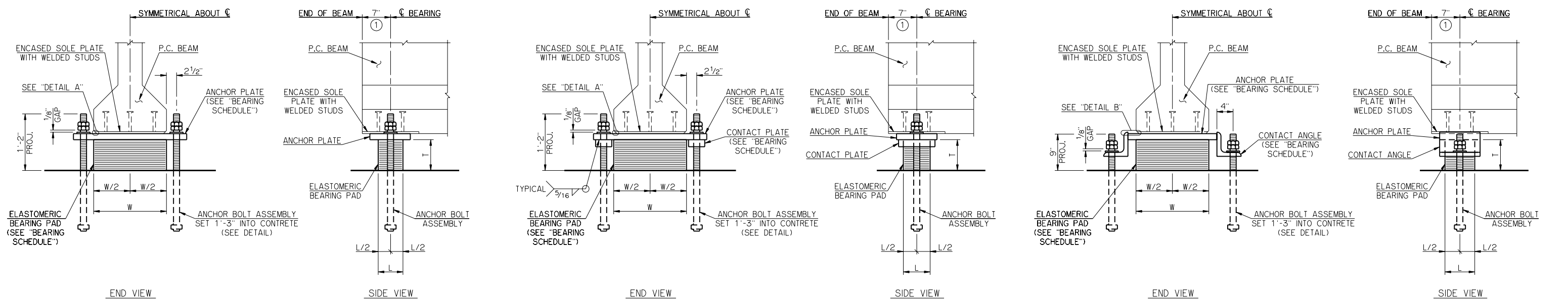
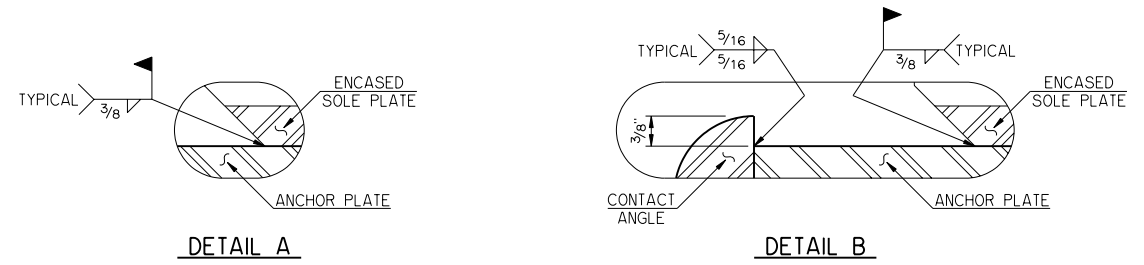


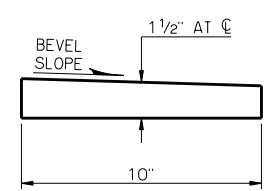
FIXED BEARING PLAN ANCHOR BOLT ASSEMBLIES NOT SHOWN
 EXPANSION BEARING PLAN ANCHOR BOLT ASSEMBLIES NOT SHOWN



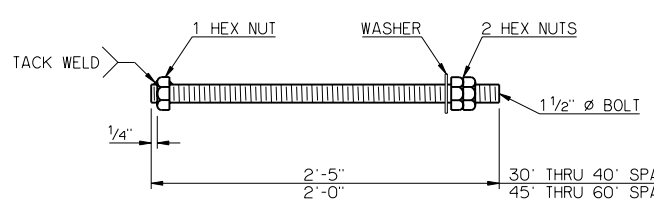
BEARING DETAILS 30' SPAN
 BEARING DETAILS 35' AND 40' SPANS
 BEARING DETAILS 45' THRU 60' SPANS



DETAIL A
 DETAIL B



BEVELED ANCHOR PLATE DETAIL
 BEVELED ANCHOR PLATE IS REQUIRED WHEN ANGLE BETWEEN UNDERSIDE OF BEAM AND HORIZONTAL EXCEEDS 1.0%. BEVEL SLOPE TO MATCH ANGLE BETWEEN BEAM AND HORIZONTAL. PAINT THICKER EDGE RED.



ANCHOR BOLT ASSEMBLY DETAIL

SPAN	ANCHOR PLATE	CONTACT PLATE OR CONTACT ANGLE	60 DUROMETER ELASTOMERIC BEARING PAD			MAXIMUM EXPANSION LENGTH WITHOUT BONDING
			SIZE (T X L X W)	COVER LAYER	INNER LAYER	
30'	1 1/2" X 10" X 2'-4"	---	7 7/8" x 6 1/8" x 1'-6"	2-1/4"	14-3/8"	245'
35'	1 1/2" X 10" X 2'-4"	1/2" X 3/4" X 4" X 9"	7 7/8" x 6 3/8" x 1'-6"	2-1/4"	14-3/8"	280'
40'	1 1/2" X 10" X 2'-4"	1/2" X 1 3/4" X 4" X 9"	7 7/8" x 6 5/8" x 1'-6"	2-1/4"	14-3/8"	305'
45'	1 1/2" X 10" X 1'-10"	L 6 X 6 X 1 X 10"	7 7/8" x 6 7/8" x 1'-6"	2-1/4"	14-3/8"	335'
50'	1 1/2" X 10" X 1'-10"	L 6 X 6 X 1 X 10"	7 7/8" x 7 1/8" x 1'-6"	2-1/4"	14-3/8"	360'
55'	1 1/2" X 10" X 1'-10"	L 6 X 6 X 1 X 10"	7 7/8" x 7 1/4" x 1'-6"	2-1/4"	14-3/8"	365'
60'	1 1/2" X 10" X 1'-10"	L 6 X 6 X 1 X 10"	7 7/8" x 7 3/8" x 1'-6"	2-1/4"	14-3/8"	365'

① ANCHOR BOLTS SHALL BE CENTERED IN SLOTS DURING SETTING OF BEAMS. DIMENSION MAY VARY AT EXPANSION BEARING DEPENDING ON TEMPERATURE AT THE TIME OF BEAM SETTING.

APPROVED BY BRIDGE ENGINEER *Robert A. Neusch* DATE 10/16/05
 OKLAHOMA DEPARTMENT OF TRANSPORTATION
 COUNTY BRIDGE STANDARD (ENGLISH)
BEARING DETAILS
TYPE II AND TYPE B P.C. BEAMS
 26' CLEAR ROADWAY - CONVENTIONAL - SKEWED 0° AND 30°
 1999 STANDARD SPECIFICATIONS CB26-C-SKO.30-BRG-PC2 OOE
 CB-359E