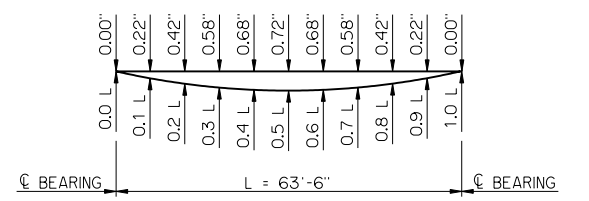


DIAPHRAGM ROD HOLE SCHEDULE				
BRIDGE SKEW	$\theta$	L1	L2	L3
0°	90°	10 1/2"	31'-5 1/2"	0'-0"
30° LEFT FORWARD	60°	1'-0"	28'-4 1/2"	5'-11"
30° RIGHT FORWARD	120°	1'-0"	28'-4 1/2"	5'-11"



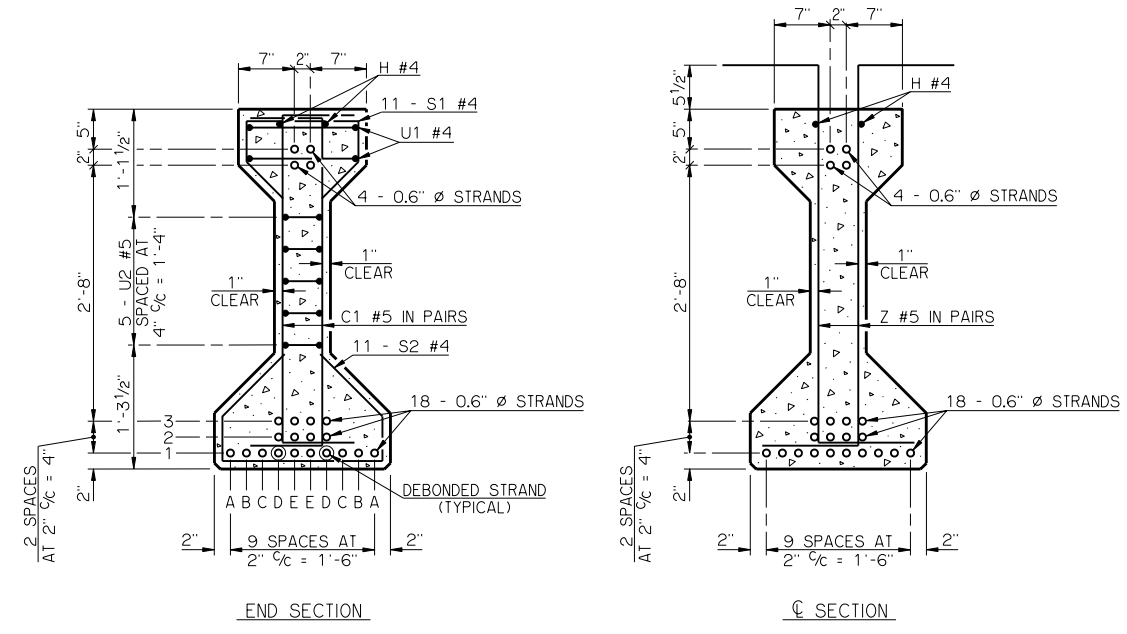
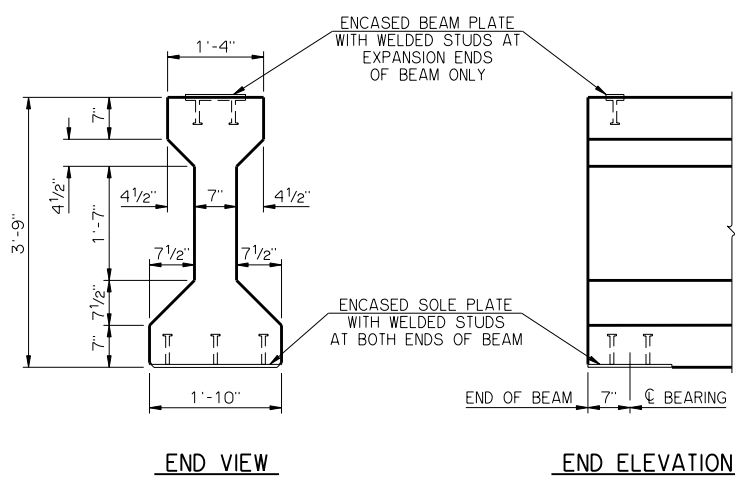
**MATERIAL PROPERTIES**

THE COMPRESSIVE STRENGTH OF THE CONCRETE IN THE P.C. BEAM SHALL BE NO LESS THAN 4,500 PSI AT THE TIME OF TRANSFER OF THE PRESTRESSING FORCE AND NO LESS THAN 6,000 PSI AT 28 DAYS AFTER THE POURING OF THE CONCRETE.

THE TYPE OF PRESTRESSING STRANDS REQUIRED IN THE P.C. BEAM SHALL BE LOW RELAXATION 7-WIRE STRAND WITH A NOMINAL DIAMETER OF 0.6 INCHES AND AN ULTIMATE TENSILE STRENGTH OF 270 KSI.

**LFD OPERATING RATING - HS 38.2**

THE LFD OPERATING RATING SHOWN ABOVE IS FOR THE P.C. BEAM ONLY AND APPLIES ONLY TO THE P.C. BEAMS OF A BRIDGE CONSTRUCTED IN STRICT CONFORMANCE TO ALL RELEVANT DETAILS CONTAINED IN THE COMPLETE SET OF COUNTY BRIDGE STANDARDS AND TO THE ODOT STANDARD SPECIFICATIONS.



**BEAM SECTIONS**  
(22 - 0.6"  $\phi$  STRANDS)

DEBOND SCHEDULE	
DEBOND PAIR	DEBOND LENGTH FROM END OF BEAM
D1	11'-0"

APPROVED BY BRIDGE ENGINEER *Robert J. Rusch* DATE 10/16/05

OKLAHOMA DEPARTMENT OF TRANSPORTATION  
COUNTY BRIDGE STANDARD (ENGLISH)

**P.C. BEAM DETAILS**  
TYPE III - 65' SPAN

**26' CLEAR ROADWAY - CONVENTIONAL - SKEWED 0° AND 30°**

1999 STANDARD SPECIFICATIONS      CB26-C-SK0.30-PCB-III-65      OOE      CB-276E