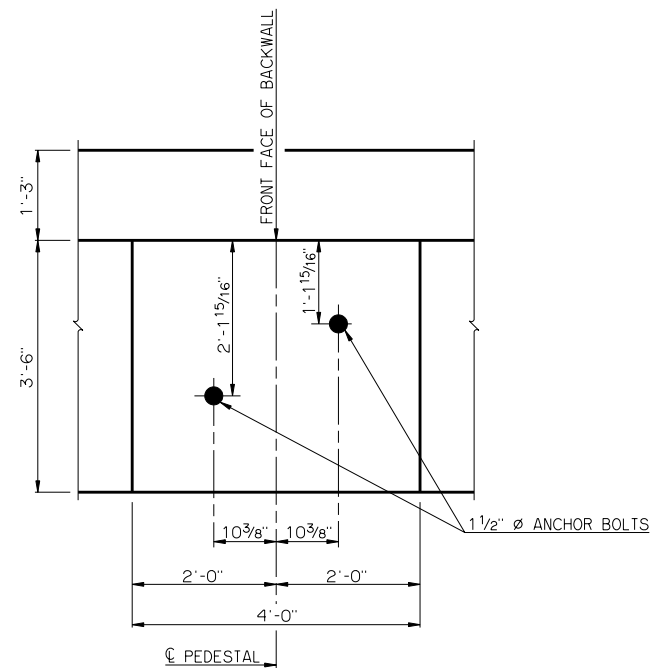
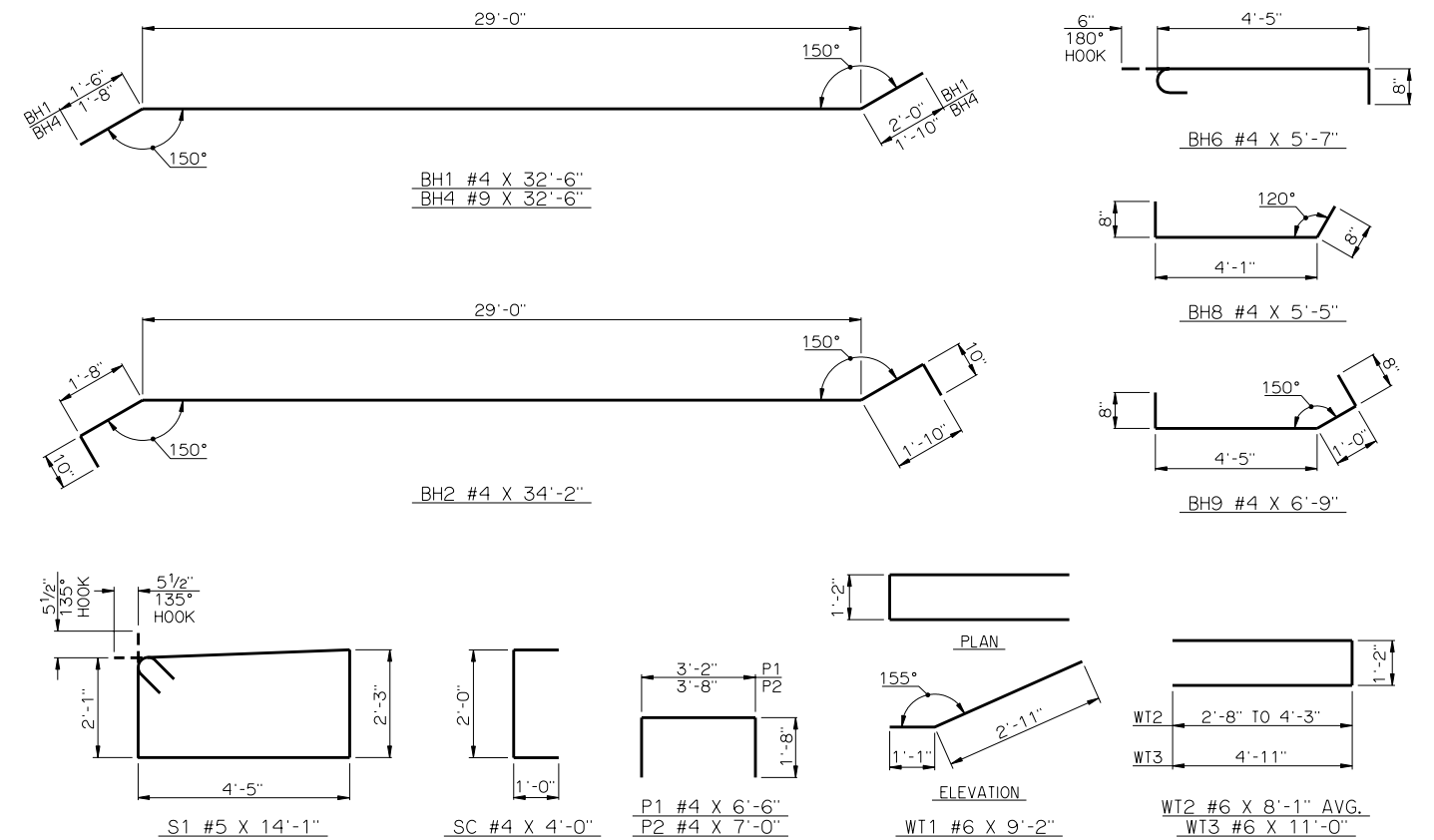


TYPICAL SECTION THRU ABUTMENT



DETAIL OF PEDESTAL WITH LAYOUT OF ANCHOR BOLTS



DETAILS OF BENT REINFORCING STEEL

BAR LIST - ONE ABUTMENT					
MARK	NO.	SIZE	FORM	LENGTH	LENGTH VARIATION
	BH1	6 #4	BNT.	32'-6"	-
	BH2	7 #4	BNT.	34'-2"	-
①	BH3	8 #9	STR.	31'-6" AVG.	30'-7" TO 32'-5"
	BH4	2 #9	BNT.	32'-6"	-
	BH5	1 #4	STR.	30'-7"	-
	BH6	15 #4	BNT.	5'-7"	-
	BH7	2 #9	STR.	12'-9"	-
	BH8	3 #4	BNT.	5'-5"	-
	BH9	3 #4	BNT.	6'-9"	-
②	BV1	30 #4	STR.	7'-2" AVG.	7'-0" TO 7'-4"
②	BV2	30 #5	STR.	7'-2" AVG.	7'-0" TO 7'-4"
	BV3	8 #6	STR.	7'-0"	-
	P1	15 #4	BNT.	6'-6"	-
	P2	12 #4	BNT.	7'-0"	-
	S1	34 #5	BNT.	14'-1"	-
	SC	6 #4	BNT.	4'-0"	-
③	WT1	2 #6	BNT.	9'-2"	-
	WT2	4 #6	BNT.	8'-1" AVG.	6'-6" TO 9'-8"
	WT3	16 #6	BNT.	11'-0"	-

- ① NO. INCLUDES TWO SETS OF 4 BARS
- ② NO. INCLUDES TWO SETS OF 15 BARS
- ③ NO. INCLUDES TWO SETS OF 2 BARS

APPROVED BY BRIDGE ENGINEER *Dora J. Rusch* DATE 10/16/08  
 OKLAHOMA DEPARTMENT OF TRANSPORTATION  
 COUNTY BRIDGE STANDARD (ENGLISH)  
**ABUTMENT DETAILS**  
**30' THRU 50' ROLLED BEAMS**  
**(SHEET NO. 2 OF 2)**  
 26' CLEAR ROADWAY - CONVENTIONAL - SKEWED 30°  
 1999 STANDARD SPECIFICATIONS CB26-C-SK30-ABUT-RB-3050-2 OOE  
 CB-204E