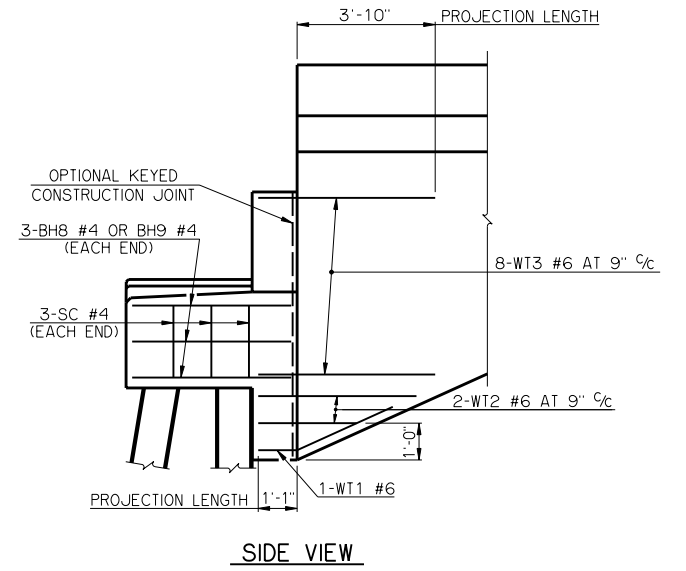
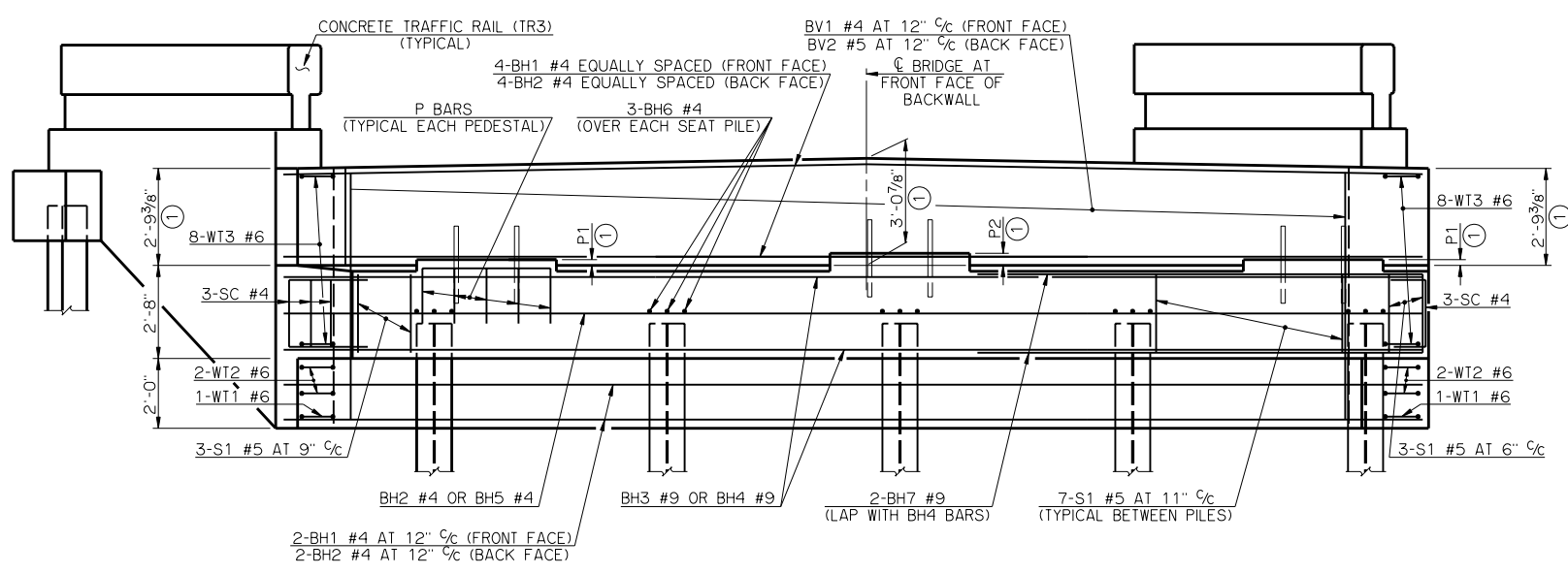


PILE SCHEDULE	
SPAN	MAXIMUM FACTORED PILE LOAD
30'	52.2 TON
35'	55.2 TON
40'	57.9 TON
45'	60.5 TON
50'	62.9 TON



PLAN
LEFT FORWARD SKEW SHOWN, RIGHT FORWARD SKEW OPPOSITE HAND



ELEVATION
LEFT FORWARD SKEW SHOWN, RIGHT FORWARD SKEW OPPOSITE HAND

PEDESTAL DIMENSIONS		
SPAN	P1	P2
30'	7 3/8"	9 7/8"
35'	4 9/16"	7 1/16"
40'	2 9/16"	4 3/4"
45'	2 1/8"	4 9/16"
50'	2"	4 7/16"

SUMMARY OF QUANTITIES - ONE ABUTMENT (3)		
ITEM	UNIT	TOTAL
SUBSTRUCTURE EXCAVATION COMMON	CY	60.00
GRANULAR BACKFILL	CY	30.00
CLASS A CONCRETE	CY	23.30
REINFORCING STEEL	LB	2,990.00
PILES, FURNISHED (HP 12 x 53)	LF	-
PILES, DRIVEN (HP 12 x 53)	LF	-
6" PERFORATED PIPE UNDERDRAIN ROUND	LF	31.00
6" NON-PERF. PIPE UNDERDRAIN RND.	LF	-

(3) EXCLUDES WINGS

- ① DIMENSIONS ARE FROM TOP OF BRIDGE SEAT AT FRONT FACE OF BACKWALL.
- ② ALL WT WING REINFORCING STEEL TIED TO THE ABUTMENT BRIDGE SEAT, BACKWALL AND CURTAIN WALL REINFORCING STEEL MUST BE IN PLACE PRIOR TO POURING ABUTMENT CONCRETE. FOR ADDITIONAL INFORMATION SEE WING DETAILS.

APPROVED BY BRIDGE ENGINEER *Robert J. Rusch* DATE 10/16/05

OKLAHOMA DEPARTMENT OF TRANSPORTATION
COUNTY BRIDGE STANDARD (ENGLISH)

ABUTMENT DETAILS
30' THRU 50' ROLLED BEAMS
(SHEET NO. 1 OF 2)

26' CLEAR ROADWAY - CONVENTIONAL - SKEWED 30°

1999 STANDARD SPECIFICATIONS CB26-C-SK30-ABUT-RB-3050-1 OOE CB-203E